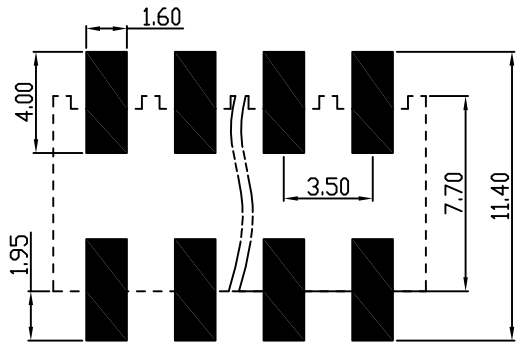
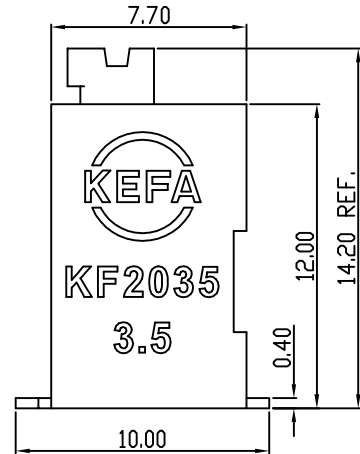
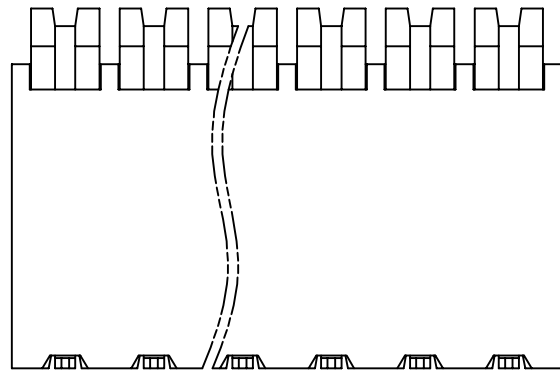
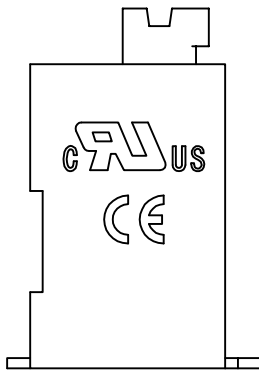
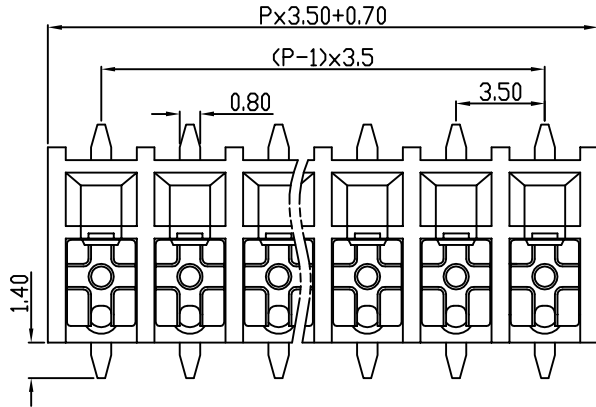


linear dimension(Tolerances Standard GB/T 14486-2008)								— ▯ ⊥		
variable range	to	over 6	over 10	over 30	over 60	over 100	over 160	to	over 10	over 100
	6	to 10	to 30	to 60	to 100	to 160	10		to 100	to
tolerance	±0.20	±0.30	±0.50	±0.70	±1.00	±1.30	±1.60	0.10	0.30	0.60



PCB Layout



REVISION RECORD				
REV.	DESCRIPTION	ECN No.	APPROVED	DATE
A	新发行		CLF	21.11.15

UL/CUL 技术参数 UL/CUL Technical Data				
等级 Use Group	B	C	D	
额定电压 Rated Voltage [V]	300	-	-	
额定电流 Rated Current [A]	10	-	-	
接线范围 Wire Range	24-16			
单/多芯线 Solid/Stranded [AWG]	24-16			
耐电压 Withstanding Voltage	1600V/1Min			
IEC 技术参数 IEC Technical Data				
过电压类别 Overvoltage Category	III	III	II	
污染等级 Contamination Class	3	2	2	
额定电压 Rated Voltage [V]	160	160	320	
额定电流 Rated Current [A]	13.5	13.5	13.5	
额定冲击电压 Impulse withstand voltage ^a [KV]	2.5	2.5	2.5	
导线截面积 Conductor cross section	1.5			
硬质/柔性导线 Solid/flexible [mm ²]	1.5			
材料 Material				
绝缘材料 Insulation Material	PPS			
阻燃等级 Imflammability	UL94V-0			
导体材料 Contactor Material	铜合金 Copper alloy			
导体表面镀层 Contactive Coating	镀锡 Tin Plated			
一般参数 Other Data				
间距 Pitch [mm]	3.5			
极数 Poles [P]	2-24			
剥线长度 Stripping Length [mm]	9-10			
螺丝 Screw/扭矩 Torque(Max) [N.m]	-			
工作温度 Operating temperatur [°C]	-40~+105			
引针尺寸 Pin Dimensions [mm]	-			
PCB板孔径 PCB Hole Diameter [mm]	-			

DES.	SJD	DATE	21.11.15
CHK.	BY	DATE	21.11.15
APP.	CLF	DATE	21.11.15

单位 / UNITS mm 尺寸 / SIZE A4 比例 / SCALE 1:1

第三视角 / THIRD ANGLE PROJECTION

名称 / TITLE KEFA[®] 慈溪市科发电子有限公司 CIXI KEFA ELECTRONIC CO., LTD

版本 / REV	A
名称 / TITLE	KEF2035V-3.5