

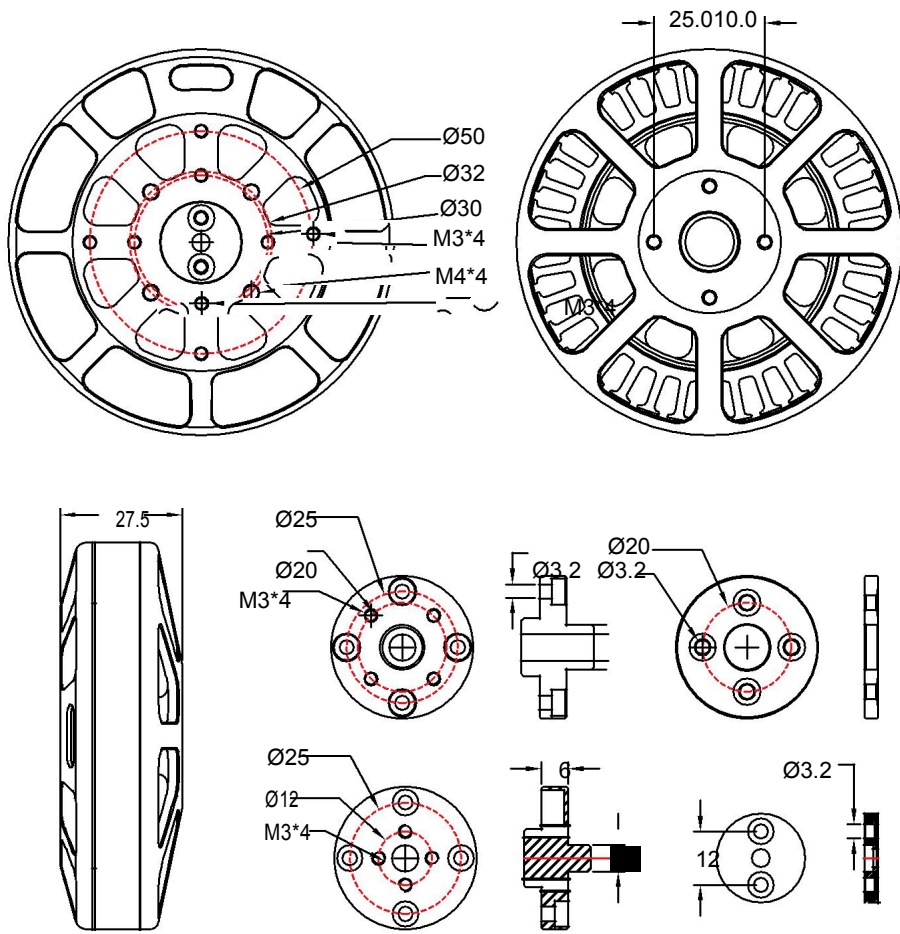
DE8108 170KV

DE8108 motors come in two concept design versions. The ENTHUSIASTS EXTREME EDITION for extreme weight reduction while maintaining the highest possible performance. And the INDUSTRY PRO EDITION achieving water and dust proof protection together with compatibility of mounting possibilities for motor and propellers.

DE8108 170KV EEE

ENTHUSIASTS EXTREME EDITION

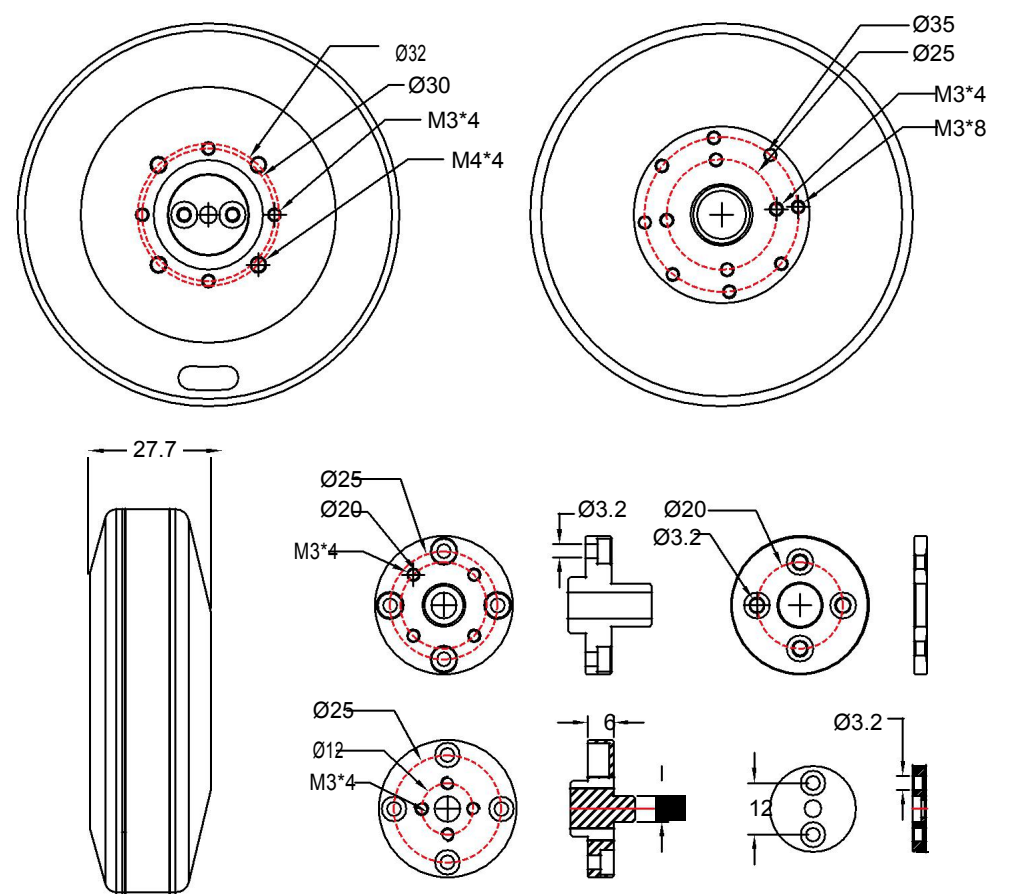
- Reduced motor weight
 - Open body design for better passive heat dissipation
 - Compatibility for propeller installation
 - Motor mounting holes standarization
 - Repairable
 - Maximized performance
 - Low power consumption •
- Designed for 6S-12S voltage



DE8108 170KV IPE

INDUSTRY PROFESSIONAL EDITION

- Water and dust proof protection
- Closed motor casing
- Propeller installation adapters
- Motor mounting holes standarization
- Repairable
- Maximized performance
- Low power consumption
- Recommended 6S-8S voltage



SPECIFICATIONS

DE8108	EEE	
Configuration	36N42P	
RPM/V	170KV	
Stator Size	81 x 8 mm	
Motor Dimensions	86.8 x 27.5 mm	EEE
Shaft Diameter	OD: 15 mm, ID: 13 mm	
Continuous Power (60 mins)	600 W	
Maximum Power (60 secs)	1300 W	
Maximum Current (60 secs)	35 A	
Idle Current at 16 V	1.4 A	
Internal Resistance	89 mΩ	
Heat Dissipation	Passive	EEE
Rotor Balanced	Yes	
Heavy Duty Design	No	EEE
Degree of Protection	Rainproof	EEE
Motor Weight	250 g	EEE
Product Boxed Weight	525 g	EEE
Maximum Thrust	3800 g (6S) - 6800 g (12S)	

DE8108	IPE	
Configuration	36N42P	
RPM/V	170KV	
Stator Size	81 x 8 mm	
Motor Dimensions	86.8 x 27.7 mm	IPE
Shaft Diameter	OD: 15 mm, ID: 13 mm	
Continuous Power (60 mins)	600 W	
Maximum Power (60 secs)	1300 W	
Maximum Current (60 secs)	35 A	
Idle Current at 16 V	1.4 A	
Internal Resistance	89 mΩ	
Heat Dissipation	Passive	IPE
Rotor Balanced	Yes	
Heavy Duty Design	Yes	IPE
Degree of Protection	IP35	IPE
Motor Weight	265 g	IPE
Product Boxed Weight	540 g	IPE
Maximum Thrust	3800 g (6S) - 6800 g (12S)	

Efficiency at 1500g Thrust	15.0 g/W	
Propeller Mounting Holes	4 x M3 Ø25 mm, 8 x M3 Ø35 mm	
Motor Mounting Holes	4 x M3 Ø30 mm, 4 x M4 Ø32 mm	
Wire	Winding Extended 150 mm	
Propeller Adapter	2 pcs	EEE
Additional Accessories	3x Bullet Connector Set 3x Heat Shrink Tubes 2x M3 10mm 2x Carbon Prop Cover 1x DE Stickers 1x Black Foam with Hole - Stand for Big Cup	

Efficiency at 1500g Thrust	15.0 g/W	
Propeller Mounting Holes	4 x M3 Ø25 mm, 8 x M3 Ø35 mm	
Motor Mounting Holes	4 x M3 Ø30 mm, 4 x M4 Ø32 mm	
Wire	Winding Extended 150 mm	
Propeller Adapter	2 pcs	IPE
Additional Accessories	3x Bullet Connector Set 3x Heat Shrink Tubes 2x M3 10mm 2x Carbon Prop Cover 1x DE Stickers 1x Black Cover Foam with Hole - Stand for Big Cup	

RECOMMENDATIONS

Propeller size	27" - 39"	6S
Propeller size	20" - 22"	12S

Takeoff Weight	1500 - 3000 g/rotor	6S
Takeoff Weight	2000 - 3500 g/rotor	12S

Propeller Size	Voltage [V]	Throttle	Current [A]	Thrust [g]	RPM	Power [W]	Efficiency [g/W]	Torque [N*m]	Temperature [°C]
20x6.0	24	10%	0.6	240	1308	14	16.67	0.11	EEE 34° IPE 40°
		20%	1.2	440	1822	29	15.28	0.15	
		30%	1.8	620	2150	43	14.35	0.19	
		40%	2.4	780	2450	58	13.54	0.22	
		50%	3.0	930	2675	72	12.92	0.26	
		60%	3.6	1070	2880	86	12.38	0.29	
		70%	4.2	1210	3052	101	12.00	0.32	
		80%	4.8	1300	3174	115	11.87	0.35	
		90%	5.4	1450	3342	130	11.19	0.37	
		100%	6.5	1650	3564	156	10.58	0.42	
22x6.6	24	10%	0.9	340	1360	22	15.74	0.15	EEE 34° IPE 40°
		20%	1.8	640	1919	43	14.81	0.21	
		30%	2.7	880	2226	65	13.58	0.28	
		40%	3.6	1120	2430	86	12.96	0.34	
		50%	4.5	1330	2705	108	12.31	0.38	
		60%	5.4	1510	2876	130	11.65	0.43	
		70%	6.3	1680	3013	151	11.11	0.48	
		80%	7.2	1850	3192	173	10.71	0.52	
		90%	8.1	2010	3308	194	10.34	0.56	
		100%	9.0	2200	3450	216	10.19	0.60	
26x8.5	24	10%	2.0	830	1360	48	17.29	0.34	EEE 42° IPE 49°
		20%	4.0	1390	1742	96	14.48	0.53	
		30%	6.0	1870	2016	144	12.99	0.68	
		40%	8.0	2340	2240	192	12.19	0.82	
		50%	10.0	2610	2400	240	10.88	0.96	
		60%	12.0	2950	2550	288	10.24	1.08	
		70%	14.0	3250	2674	336	9.67	1.20	
		80%	16.0	3575	2800	384	9.31	1.31	
		90%	18.0	3860	2893	432	8.94	1.43	
		100%	19.9	4100	2989	478	8.58	1.53	
27x8.8	24	10%	2.2	980	1374	53	18.56	0.37	EEE 44° IPE 52°
		20%	4.4	1570	1711	106	14.87	0.59	
		30%	6.6	2080	1983	158	13.13	0.76	
		40%	8.8	2560	2178	211	12.12	0.93	
		50%	11.0	2970	2344	264	11.25	1.08	
		60%	13.2	3200	2484	317	10.10	1.22	
		70%	15.4	3570	2606	370	9.66	1.35	
		80%	17.6	3960	2712	422	9.38	1.49	
		90%	19.8	4300	2817	475	9.05	1.61	
		100%	22.0	4590	2909	528	8.69	1.73	
		10%	2.5	1055	1319	60	17.58	0.43	
		20%	5.0	1670	1661	120	13.92	0.69	
		30%	7.5	2250	1907	180	12.50	0.90	
		40%	10.0	2730	2108	240	11.38	1.09	

28x9.2	24	50%	12.5	3130	2265	300	10.43	1.26	EEE 47° IPE 56°
		60%	15.0	3570	2400	360	9.92	1.43	
		70%	17.5	3920	2515	420	9.33	1.59	
		80%	20.0	4200	2616	480	8.75	1.75	
		90%	22.5	4500	2707	540	8.33	1.91	
		100%	25.2	4850	2790	605	8.02	2.07	
29x9.5	24	10%	2.8	1190	1400	67	17.71	0.46	EEE 56° IPE 67°
		20%	5.6	1910	1635	134	14.21	0.79	
		30%	8.4	2570	1882	202	12.75	1.02	
		40%	11.2	3100	2068	269	11.53	1.24	
		50%	14.0	3560	2269	336	10.60	1.41	
		60%	16.8	3940	2358	403	9.77	1.63	
		70%	19.6	4400	2470	470	9.35	1.82	
		80%	22.4	4770	2550	538	8.87	2.01	
		90%	25.2	5120	2680	605	8.47	2.16	
		100%	27.4	5480	2720	658	8.33	2.31	
20x6.0	32	10%	1.0	450	1924	32	14.06	0.16	EEE 38° IPE 45°
		20%	2.0	760	2520	64	11.88	0.24	
		30%	3.0	1020	2933	96	10.63	0.31	
		40%	4.0	1310	3300	128	10.23	0.37	
		50%	5.0	1540	3550	160	9.63	0.43	
		60%	6.0	1780	3813	192	9.27	0.48	
		70%	7.0	2010	4021	224	8.97	0.53	
		80%	8.0	2220	4219	256	8.67	0.58	
		90%	9.0	2400	4364	288	8.33	0.63	
		100%	10.3	2660	4570	330	8.07	0.69	
22*6.6	32	10%	1.4	630	1900	45	14.06	0.23	EEE 41° IPE 49°
		20%	2.8	1100	2450	90	12.28	0.35	
		30%	4.2	1500	2910	134	11.16	0.44	
		40%	5.6	1860	3220	179	10.38	0.53	
		50%	7.0	2190	3485	224	9.78	0.61	
		60%	8.4	2475	3700	269	9.21	0.69	
		70%	9.8	2800	3906	314	8.93	0.77	
		80%	11.2	3070	4078	358	8.57	0.84	
		90%	12.6	3350	4250	403	8.31	0.91	
		100%	15.9	3590	4393	509	7.06	1.11	
20x6.0	40	10%	1.5	700	2400	60	11.67	0.24	EEE 42° IPE 50°
		20%	3.0	1220	3160	120	10.17	0.36	
		30%	4.5	1640	3650	180	9.11	0.47	
		40%	6.0	2090	4060	240	8.71	0.56	
		50%	7.5	2520	4410	300	8.40	0.65	
		60%	9.0	2880	4677	360	8.00	0.74	
		70%	10.5	3090	4950	420	7.36	0.81	
		80%	12.0	3450	5170	480	7.19	0.89	
		90%	13.5	3710	5381	540	6.87	0.96	
		100%	14.5	3970	5525	580	6.84	1.00	
22x6.6	40	10%	1.9	990	2313	76	13.03	0.31	EEE 47° IPE 56°
		20%	3.8	1660	3010	152	10.92	0.48	
		30%	5.7	2240	3500	228	9.82	0.62	
		40%	7.6	2750	3828	304	9.05	0.76	
		50%	9.5	3170	4148	380	8.34	0.87	
		60%	11.4	3640	4400	456	7.98	0.99	
		70%	13.3	4000	4642	532	7.52	1.09	
		80%	15.2	4350	4830	608	7.22	1.20	
		90%	17.1	4730	5043	684	6.92	1.30	
		100%	18.9	5150	5244	756	6.81	1.38	