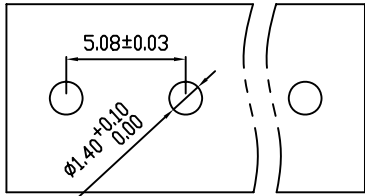


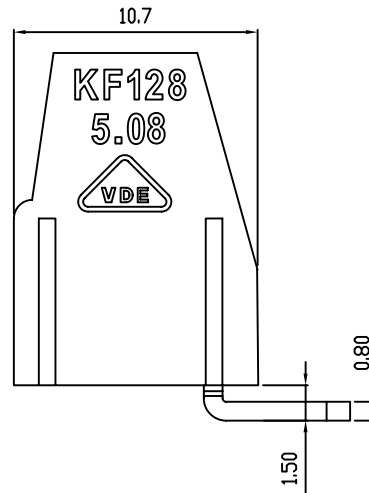
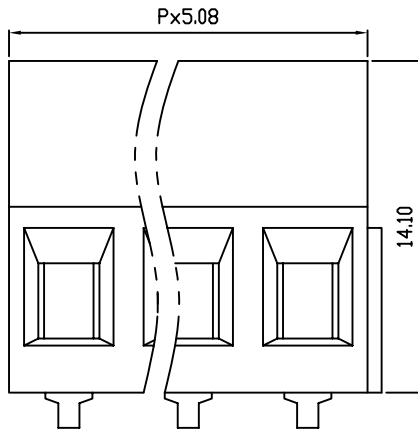
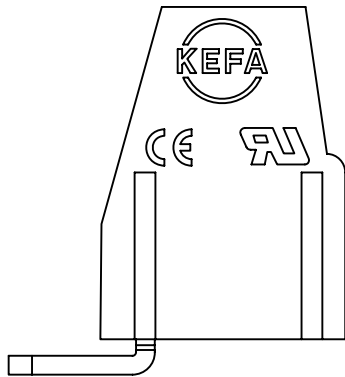
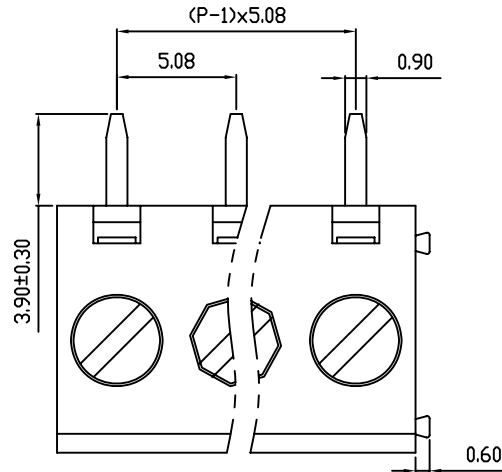
linear dimension(Tolerances Standard GB/T 14486-2008)



variable range	to	over 6 to 10	over 10 to 30	over 30 to 60	over 60 to 100	over 100 to 160	over 160 to	to	over 10 to 100	over 100 to
	6	10	30	60	100	160		10	100	
tolerance	±0.20	±0.30	±0.50	±0.70	±1.00	±1.30	±1.60	0.10	0.30	0.60



PCB LAYOUT



REVISION RECORD

REV.	DESCRIPTION	ECN No.	APPROVED	DATE

UL/CUL 技术参数 UL/CUL Technical Data							
等级	Use Group	B	C	D			
额定电压	Rated Voltage [V]	300	-	300			
额定电流	Rated Current [A]	10	-	10			
接线范围	Wire Range	22-12					
单/多芯线	Solid/Stranded [AWG]	22-12					
耐电压	Withstanding Voltage	1600V/1Min					
IEC 技术参数 IEC Technical Data							
过电压类别	Overvoltage Category	III	III	II			
污染等级	Contamination Class	3	2	2			
额定电压	Rated Voltage [V]	250	400	630			
额定电流	Rated Current [A]	24	24	24			
额定冲击电压	Impulse withstand voltagea [KV]	4.0	4.0	4.0			
导线截面积	Conductor cross section	2.5					
硬质/柔性导线	Solid/flexible [mm²]	2.5					
材料 Material							
绝缘材料	Insulation Material	PA66					
阻燃等级	Imflammability	UL94V-0					
导体材料	Contactur Material	铜合金 Copper alloy					
导体表面镀层	Contactive Coating	镀锡 Tin Plated					
一般参数 Other Data							
间距	Pitch [mm]	5.08					
极数	Poles [P]	2-24					
剥线长度	Stripping Length [mm]	6-7					
螺丝	Screw/扭矩 Torque(Max) [N.m]	M2.5/0.4					
工作温度	Operating temperatur [°C]	-40~105					
引针尺寸	Pin Dimensions [mm]	3.9					
PCB板孔径	PCB Hole Diameter [mm]	1.4					

DES.	DATE	单位 / UNITS	mm	尺寸 / SIZE	A4	比例 / SCALE	1:1	第三视角/THIRD ANGLE PROJECTION	版本 / REV	A
CHK.	DATE	慈溪市科发电子有限公司 CIXI KEFA ELECTRONIC CO., LTD							名称 / TITLE <b>KF128R-5.08</b>	
APP.	DATE									